

WIND SPEED SENSOR

Specification



Pls read this user manual before use
this product.

BX-FS (485) WIND SPEED SENSOR

Statement

Any companies or privates cannot copy, transcribe or translate part or whole content of this file without our written permission. And cannot use it on any business or benefit filed with any forms.

The specifications and information which are mentioned on the file is for reference only, if there' s update, we will not inform you. This file is only for guidance, and all information will not be for any promises.

CATALOG

GUIDING.....	2
Safety notes.....	2
PRODUCT INSTRUCTION.....	3
Photo.....	3
DESCRIPTION.....	4
Features.....	4
Technical Parameters.....	4
DEMENSION.....	5
INSTALLATION DIAGRAM.....	6

GUIDING

Safety notes

- ◆ Input voltage is 12V, electric current is 4A, power voltage can't be less than 12V, please make sure the quality of the power supply of sensors.
- ◆ Users are not allowed to disassemble, not to touch the sensor core, so as not to cause damage to the product.
- ◆ As far as possible away from high-power interference equipment, so as not to cause inaccurate measurement, such as frequency converter, motor, etc., installation, disassembly transmitter must turn off the power, The power supply must be disconnected first. Water entering the forbidden transmitter can cause irreversible changes.
- ◆ Please make sure that all the power supply cables are plugged off when you want to connect or plug off any signal or controlling cables.
- ◆ Please make sure that all the power supply cables and signal cables are plugged off when you need to put in or take off the hardware equipment.
- ◆ Please make sure the environment is clean, dry and ventilated when you use this product, also, do not put this product to a high temperature and wet environment.
- ◆ This product is electronic products, please keep away from fire, water source and flammable&combustible products.
- ◆ There's high pressure components in this products, please do not open the box and repair it by yourself.
- ◆ Turn off the power supply immediately when you find smoking, peculiar smell or something unusual. And contact with us soon.

PRODUCT INSTRUCTION

Photo



DESCRIPTION

BX - FS (485) wind speed sensor, appearance is small and light, easy to carry and assembly, three cups of design concept can be effective for wind speed information, shell is made of high quality aluminum alloy profiles, outside the plating spraying plastics processing, has a good anti-corrosive and prevent erosion, etc, to ensure the transmitter use for a long time no rust cut phenomenon, at the same time, cooperate with internal smooth bearing system, to ensure the accuracy of the information collection. It is widely used in wind speed measurement of greenhouse, environmental protection, weather station, ship, dock and breeding environment.

Features

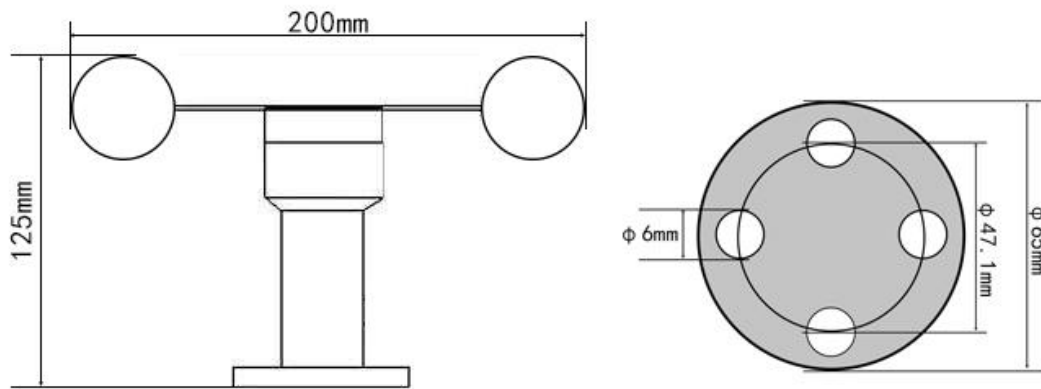
- Range: 0-30m/s, resolution: 0.1m/s.
- Anti - electromagnetic interference processing.
- Adopt bottom outlet mode, complete aviation plug rubber pad aging problem, long-term use is still waterproof.
- High performance imported bearing, small rotational resistance, accurate measurement.
- Aluminum shell, mechanical strength, high hardness, corrosion resistance, no rust can be used for a long time in the outdoor.
- Equipment structure and weight carefully designed and distributed, small moment of inertia, responsive.
- Standard Modbus-RTU communication protocol, easy access.

Technical Parameters

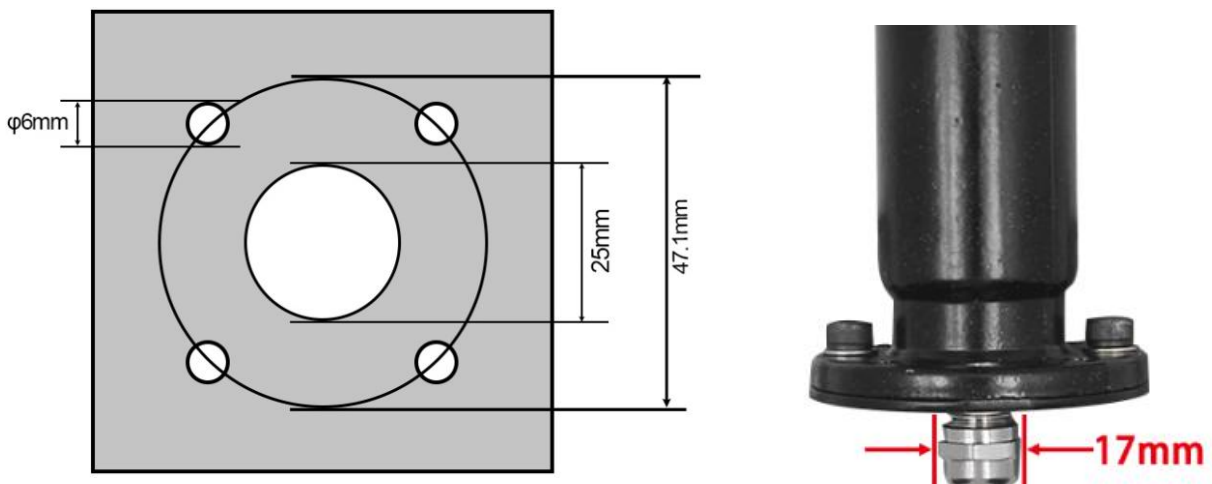
DC power supply (default)	10~30V DC
Working temperature of transmitter circuit	-20°C~+60°C , 0%RH~80%RH
Communicate interface	485 communication (modbus) protocol baud: 2400、4800 (default) 、 9600 data length: 8 Parity check system: none Stop bit : 1bit Default ModBus communication address: 1 Function code: 03

Parameter setup	Set the 485 interface by the software
Resolution	0.1m/s
Test range	0~30m/s
Dynamic response time	$\leq 0.5s$
Wind speed start	$\leq 0.2m/s$

DEMENSION



INSTALLATION HOLE INSTRUCTION



INSTALLATION DIAGRAM

Mounted with flange, threaded flange connection that the lower part of the wind speed sensor fitting firmly fixed in the flange plate, chassis, $\text{Ø} 65 \text{ mm}$ in $\text{Ø} 47.1 \text{ mm}$ on the circumference of a circle of four $\text{Ø} 6 \text{ mm}$ mounting holes, using bolts should be firmly fixed to the bracket, make a complete set of equipment, stay at the best level, ensure the accuracy of the wind speed data, flange connection is convenient to use, can withstand greater pressure.



PLS SELECT THE CABLE DIRECTION ACCORDING TO THE APPLICATION ENVIRONMENT

CONTACT US

Shanghai ONBON Technology Co.,ltd (Headquarters)

Address: 7 Floor, Tower 88, 1199#, North Qinzhou Road, Xuhui District, Shanghai City, China

Tel Phone: 086-21-64955136

Fax: 086-21-64955136

Website: www.onbonbx.com

ONBON (Jiangsu) Optoelectronic Industrial Co.,LTD

Address: 1299#, Fuchun Jiang Road, Kunshan City, Jiangsu Province, China

Sales Contacts

Tel: 0086-15921814956 0086-15800379719

Email: onbon@onbonbx.com

Second Development

Tel: 0512-66589212

Email: dev@onbonbx.com

iLEDCloud

Website: <http://www.iledcloud.com/>



Public Wechat



ONBON APP